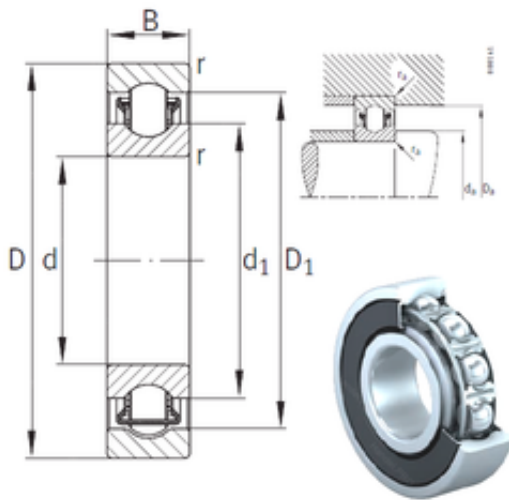




# Double BALL BEARINGS CO, LTD

15 mm x 35 mm x 11 mm INA BXRE202-2HRS  
needle roller bearings

Bearing No. BXRE202-2HRS



BXRE202-2HRS Bearing 2D drawings and 3D CAD models

Size	15x35x11 mm
Bore Diameter	15 mm
Outer Diameter	35 mm
Width	11 mm
d	15 mm
D	35 mm
B	11 mm
C	11 mm
d1	22 mm
r min.	0,6 mm
D1	28,9 mm
da min.	19,2 mm
Da max.	30,8 mm
ra max.	0,6 mm
Weight	0,046 Kg
Basic dynamic load rating (C)	10,9 kN
Basic static load rating (C0)	6,1 kN
Fatigue load limit (Pu)	310