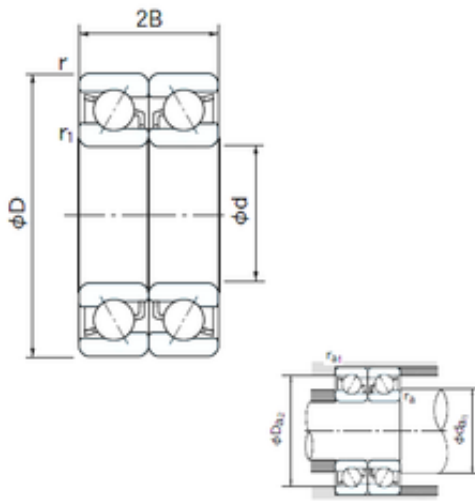




Double BALL BEARINGS CO, LTD



15 mm x 35 mm x 11 mm NACHI 7202BDB
angular contact ball bearings

Bearing No. 7202BDB

7202BDB Bearing 2D drawings and 3D CAD models

Size	15x35x11 mm
Bore Diameter	15 mm
Outer Diameter	35 mm
Width	11 mm
d	15 mm
D	35 mm
B	11 mm
C	11 mm
Angle (°)	40 °
a	5.0 mm
r min.	0.6 mm
r1 min.	0.3 mm
2B	22 mm
da min.	17 mm
Da max.	32.4 mm
ra max.	0.3 mm
Weight	0.048 Kg
Basic dynamic load rating (C)	14 kN
Basic static load rating (C0)	8,95 kN
(Grease) Lubrication Speed	12000 r/min
Bore Type	Cylindrical Bore
Enclosure	Open
Configuration	Duplex
Bore Size	15 mm
Outside Diameter	35 mm



Double BALL BEARINGS CO, LTD

Width	11 mm
Fillet Radius/Chamfer	0.6 mm
r1	0.3 mm
Dynamic Load Rating	14,000 N
Static Load Rating	8,950 N
Limiting Speed - Grease	12,000 rpm
Limiting Speed - Oil	17,000 rpm
da1 (min)	20 mm
da2 (min)	17 mm
Da1 (max)	30 mm
Da2 (max)	32.4 mm
ra (max)	0.6 mm
ra1 (max)	0.3 mm