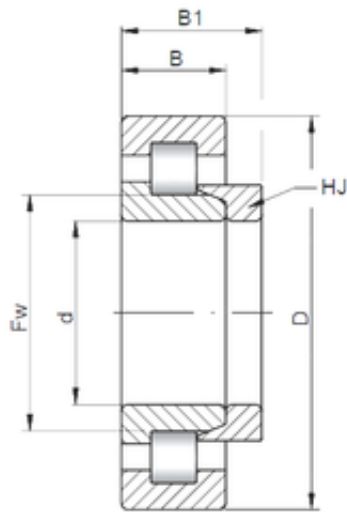




## Double BALL BEARINGS CO, LTD



15 mm x 35 mm x 11 mm ISO NH202  
cylindrical roller bearings

Bearing No. NH202

Dimensione	15x35x11 mm
Marchio	ISO
Diametro del foro	15 mm
Diametro esterno	35 mm
Larghezza	11 mm
d	15 mm
D	35 mm
B	11 mm
C	11 mm
B1	2,5 mm
B2	5 mm

NH202 Bearing 2D drawings and 3D CAD models