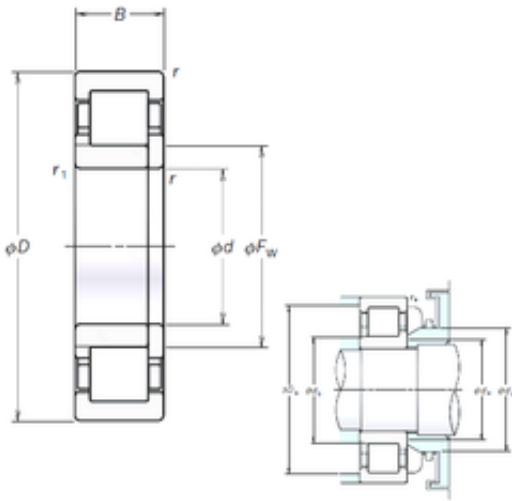




Double BALL BEARINGS CO, LTD



170 mm x 310 mm x 86 mm NSK NUP2234EM
cylindrical roller bearings

Bearing No. NUP2234EM

NUP2234EM Bearing 2D drawings and 3D CAD models

Size	170x310x86 mm
Bore Diameter	170 mm
Outer Diameter	310 mm
Width	86 mm
d	170 mm
Fw	205 mm
D	310 mm
B	86 mm
C	86 mm
r min.	4 mm
r1 min.	4 mm
da min.	186 mm
Da max.	294 mm
db max.	200 mm
db min	186 mm
ra max.	3 mm
rb max.	3 mm
S	2,8 mm
Db max	294 mm
Weight	29,9 Kg
Basic dynamic load rating (C)	925 kN
Basic static load rating (C0)	1330 kN
(Grease) Lubrication Speed	1800 r/min
hidYobi	NUP2234EM
LangID	1



Double BALL BEARINGS CO, LTD

D_	310
Macha rpm	3200
B_	86
hidTable	ecat_NSCLDR
Oil rpm	2200
rb	3
mass	30.5
GRS rpm	1800
ra	3
db max	200
TSR rpm	2200
C0	1330
DE_	281
Prod_Type3	CRB_SR_NUP
da	186
DA_	38
Z_	16
D_a max	294
yobi	NUP2234EM
dd min	223
C_conv	925000
ALPHA_	0
SDM_	243
r	4
dc min	211
KBRG	4165
SBRG	22
r1	4
DI_	205