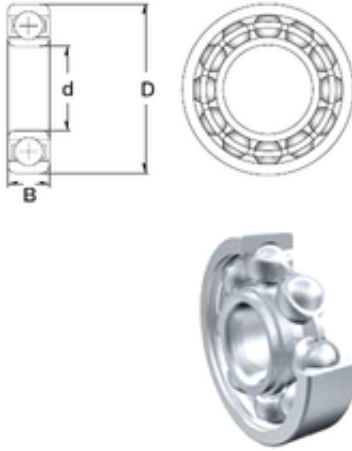




## Double BALL BEARINGS CO, LTD

17 mm x 35 mm x 10 mm ZEN S6003 deep groove ball bearings



Bearing No. S6003

Size	17x35x10 mm
Bore Diameter	17 mm
Outer Diameter	35 mm
Width	10 mm
d	17 mm
D	35 mm
B	10 mm
C	10 mm
Weight	0,039 Kg
Basic dynamic load rating (C)	6,05 kN

S6003 Bearing 2D drawings and 3D CAD models