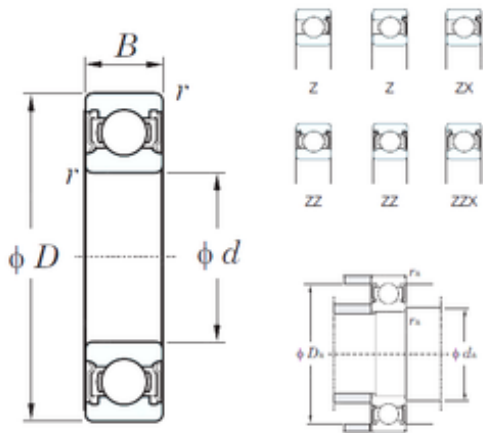




# Double BALL BEARINGS CO, LTD



17 mm x 35 mm x 10 mm KOYO 6003Z deep groove ball bearings

Bearing No. 6003Z

6003Z Bearing 2D drawings and 3D CAD models

Size	17x35x10 mm
Bore Diameter	17 mm
Outer Diameter	35 mm
Width	10 mm
d	17 mm
D	35 mm
B	10 mm
C	10 mm
r min.	0,3 mm
da min.	19 mm
da max	21 mm
Da max.	33 mm
ra max.	0,3 mm
Weight	0,039 Kg
Basic dynamic load rating (C)	6 kN
Basic static load rating (C0)	3,25 kN
(Grease) Lubrication Speed	21000 r/min
(Oil) Lubrication Speed	25000 r/min
Category	Single Row Ball Bearings
Inventory	0.0
Manufacturer Name	KOYO
Minimum Buy Quantity	N/A
Weight / Kilogram	0.042
EAN	0060579004335
Product Group	B00308



## Double BALL BEARINGS CO, LTD

Enclosure	1 Metal Shield
Precision Class	ABEC 1   ISO P0
Maximum Capacity / Filling Slot	No
Rolling Element	Ball Bearing
Snap Ring	No
Internal Special Features	No
Cage Material	Steel
Internal Clearance	C0-Medium
Inch - Metric	Metric
Long Description	17MM Bore; 35MM Outside Diameter; 10MM Outer Race Width; 1 Metal Shield; Ball Bearing; ABEC 1   ISO P0; No Filling Slot; No Snap Ring; No Internal Special Features; C0-Medium Internal Clearance; Steel
Other Features	Deep Groove
Category	Single Row Ball Bearing
UNSPSC	31171504
Harmonized Tariff Code	8482.10.50.68
Noun	Bearing
Keyword String	Ball
Manufacturer URL	<a href="http://www.koyousa.com">http://www.koyousa.com</a>
Weight / LBS	0.0859
Inner Race Width	0 Inch   0 Millimeter
Bore	0.669 Inch   17 Millimeter
Outer Race Width	0.394 Inch   10 Millimeter
Outside Diameter	1.378 Inch   35 Millimeter