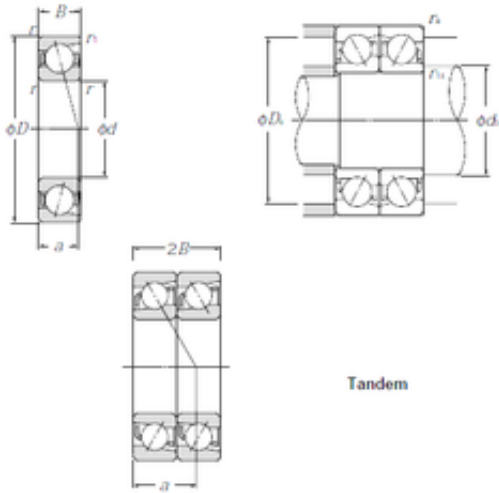




Double BALL BEARINGS CO, LTD



17 mm x 35 mm x 10 mm CYSD 7003DT
angular contact ball bearings

Bearing No. 7003DT

Size	17x35x10 mm
Bore Diameter	17 mm
Outer Diameter	35 mm
Width	10 mm
d	17 mm
D	35 mm
B	10 mm
C	10 mm
Angle (°)	25 °
r min.	0,3 mm
2B	20 mm
Weight	0,092 Kg
Basic dynamic load rating (C)	11,6 kN
Basic static load rating (C0)	7,65 kN
(Grease) Lubrication Speed	17000 r/min

7003DT Bearing 2D drawings and 3D CAD models