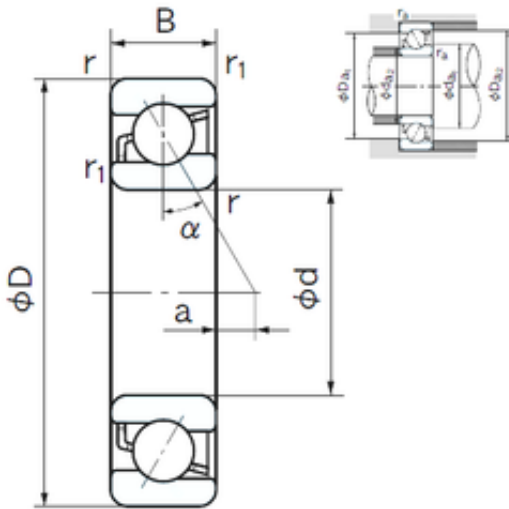




Double BALL BEARINGS CO, LTD

17 mm x 35 mm x 10 mm NACHI 7003 angular contact ball bearings

Bearing No. 7003



7003 Bearing 2D drawings and 3D CAD models

Size	17x35x10 mm
Bore Diameter	17 mm
Outer Diameter	35 mm
Width	10 mm
d	17 mm
D	35 mm
B	10 mm
C	10 mm
Angle (°)	30 °
a	2.5 mm
r min.	0.3 mm
r1 min.	0.15 mm
da min.	19 mm
Da max.	33 mm
ra max.	0.3 mm
Weight	0.045 Kg
Basic dynamic load rating (C)	6,4 kN
Basic static load rating (C0)	3,8 kN
(Grease) Lubrication Speed	17000 r/min
Configuration	Single Row
Enclosure	Open
Bore Type	Cylindrical Bore
Bore Size	17 mm
Outside Diameter	35 mm
Width	10 mm



Double BALL BEARINGS CO, LTD

Fillet Radius/Chamfer	0.3 mm
r1	0.2 mm
Dynamic Load Rating	6,400 N
Static Load Rating	3,800 N
Limiting Speed - Grease	17,000 rpm
Limiting Speed - Oil	22,000 rpm
da1 (min)	19 mm
da2 (min)	19 mm
Da1 (max)	33 mm
Da2 (max)	34 mm
ra (max)	0.3 mm
ra1 (max)	0.2 mm