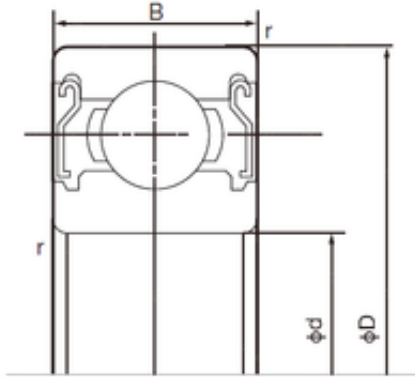




Double BALL BEARINGS CO, LTD

17 mm x 35 mm x 10 mm NACHI 6003ZZE
deep groove ball bearings



6003ZZE Bearing 2D drawings and 3D CAD models

Bearing No. 6003ZZE

Size	17x35x10 mm
Bore Diameter	17 mm
Outer Diameter	35 mm
Width	10 mm
d	17 mm
D	35 mm
B	10 mm
C	10 mm
r min.	0.3 mm
da min.	19 mm
Da max.	33 mm
ra max.	0.3 mm
Weight	0.039 Kg
Basic dynamic load rating (C)	6 kN
Basic static load rating (C0)	3,25 kN
(Grease) Lubrication Speed	20000 r/min
Category	Single Row Ball Bearings
Inventory	0.0
Manufacturer Name	NACHI
Minimum Buy Quantity	N/A
Weight / Kilogram	0
Product Group	B00308
Enclosure	2 Metal Shields
Precision Class	ABEC 1 ISO P0
Maximum Capacity / Filling	No



Double BALL BEARINGS CO, LTD

Slot	
Rolling Element	Ball Bearing
Snap Ring	No
Internal Special Features	No
Cage Material	Steel
Internal Clearance	C0-Medium
Inch - Metric	Metric
Long Description	17MM Bore; 35MM Outside Diameter; 10MM Outer Race Width; 2 Metal Shields; Ball Bearing; ABEC 1 ISO P0; No Filling Slot; No Snap Ring; No Internal Special Features; C0-Medium Internal Clearance; Stee
Other Features	Deep Groove
Category	Single Row Ball Bearing
UNSPSC	31171504
Harmonized Tariff Code	8482.10.50.68
Noun	Bearing
Keyword String	Ball
Manufacturer URL	http://www.nachiamerica.com
Inner Race Width	0 Inch 0 Millimeter
Outer Race Width	0.394 Inch 10 Millimeter
Bore	0.669 Inch 17 Millimeter
Outside Diameter	1.378 Inch 35 Millimeter
Bore Type	Cylindrical Bore
Configuration	Single Row
Bore Size	17 mm
Width	10 mm
Fillet Radius/Chamfer	0.3 mm
Dynamic Load Rating	6,000 N
Static Load Rating	3,250 N



Double BALL BEARINGS CO, LTD

Limiting Speed - Grease	22,000 rpm
Factor f_0	14.3
Radial Clearance	0.003 to 0.018 mm
d_a (min)	19 mm
D_a (max)	33 mm
r_a (max)	0.3 mm