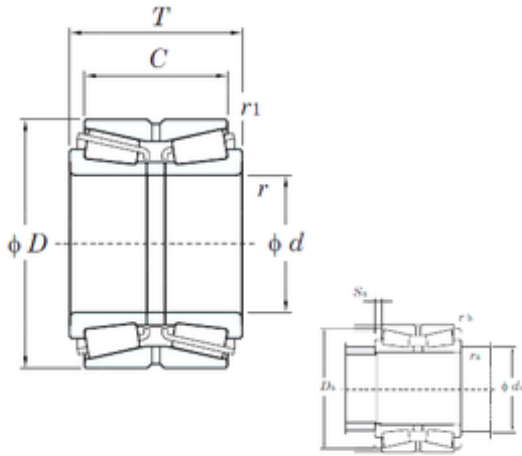




# Double BALL BEARINGS CO, LTD

## KOYO 46348A tapered roller bearings

Bearing No. 46348A



46348A Bearing 2D drawings and 3D CAD models

Size	240x400x160 mm
Bore Diameter	240 mm
Outer Diameter	400 mm
Width	160 mm
d	240 mm
D	400 mm
T	160 mm
C	128 mm
r min.	5 mm
r1 min.	1,5 mm
da min.	262 mm
Da min	373 mm
ra max.	4 mm
rb max.	1,5 mm
Weight	76,2 Kg
Basic dynamic load rating (C)	1540 kN
Basic static load rating (C0)	3060 kN
(Grease) Lubrication Speed	630 r/min
(Oil) Lubrication Speed	850 r/min
Calculation factor (e)	0,35
Calculation factor (Y0)	1,91
Bearing No.	46348A
r(min)	5
r1(min)	1.5
Cr	1940
C0r	3060



## Double BALL BEARINGS CO, LTD

Cu	162
Grease lub.	630
Oil lub.	850
da(min)	262
Da(min)	391.5
Sa(min)	16
ra(max)	4
rb(max)	1.5
e	0.35
Y2	1.95
Y3	2.90
Y0	1.91
(Refer.)Mass(kg)	76.2