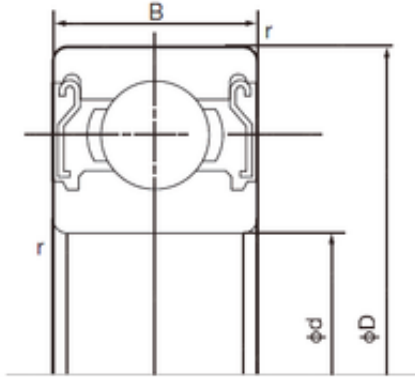




## Double BALL BEARINGS CO, LTD

35 mm x 47 mm x 7 mm NACHI 6807ZZE deep groove ball bearings



Bearing No. 6807ZZE

6807ZZE Bearing 2D drawings and 3D CAD models

|                               |                          |
|-------------------------------|--------------------------|
| Size                          | 35x47x7 mm               |
| Bore Diameter                 | 35 mm                    |
| Outer Diameter                | 47 mm                    |
| Width                         | 7 mm                     |
| d                             | 35 mm                    |
| D                             | 47 mm                    |
| B                             | 7 mm                     |
| C                             | 7 mm                     |
| r min.                        | 0.3 mm                   |
| da min.                       | 37 mm                    |
| Da max.                       | 45 mm                    |
| ra max.                       | 0.3 mm                   |
| Weight                        | 0.029 Kg                 |
| Basic dynamic load rating (C) | 4,75 kN                  |
| Basic static load rating (C0) | 3,8 kN                   |
| Category                      | Single Row Ball Bearings |
| Inventory                     | 0.0                      |
| Manufacturer Name             | NACHI                    |
| Minimum Buy Quantity          | N/A                      |
| Weight / Kilogram             | 0.027                    |
| EAN                           | 4991893857924            |
| Product Group                 | B00308                   |
| Enclosure                     | 2 Metal Shields          |
| Precision Class               | ABEC 1   ISO P0          |
| Maximum Capacity / Filling    | No                       |



## Double BALL BEARINGS CO, LTD

|                           |  |
|---------------------------|--|
| Slot                      |  |
| Rolling Element           | Ball Bearing   |
| Snap Ring                 | No   |
| Internal Special Features | No   |
| Internal Clearance        | C0-Medium  |
| Inch - Metric             | Metric   |
| Long Description          | 35MM Bore; 47MM Outside Diameter; 7MM Outer Race Diameter; 2 Metal Shields; Ball Bearing; ABEC 1   ISO P0; No Filling Slot; No Snap Ring; No Internal Special Features |
| Category                  | Single Row Ball Bearing  |
| UNSPSC                    | 31171504   |
| Harmonized Tariff Code    | 8482.10.50.68  |
| Noun                      | Bearing  |
| Keyword String            | Ball   |
| Manufacturer URL          | <a href="http://www.nachi.com">http://www.nachi.com</a>  |
| Manufacturer Item Number  | 6807 ZZE BS2M  |
| Weight / LBS              | 0.06   |
| Outside Diameter          | 1.85 Inch   47 Millimeter  |
| Outer Race Width          | 0.276 Inch   7 Millimeter  |
| Bore                      | 1.378 Inch   35 Millimeter   |
| Bore Type                 | Cylindrical Bore   |
| Configuration             | Single Row   |
| Bore Size                 | 35 mm  |
| Width                     | 7 mm   |
| Fillet Radius/Chamfer     | 0.3 mm   |
| Dynamic Load Rating       | 4,750 N  |
| Static Load Rating        | 3,800 N  |
| Limiting Speed - Grease   | 14,000 rpm   |
| Factor fo                 | 16.4   |
| Radial Clearance          | 0.006 to 0.020 mm  |



## Double BALL BEARINGS CO, LTD

|          |        |
|----------|--------|
| da (min) | 37 mm  |
| Da (max) | 45 mm  |
| ra (max) | 0.3 mm |