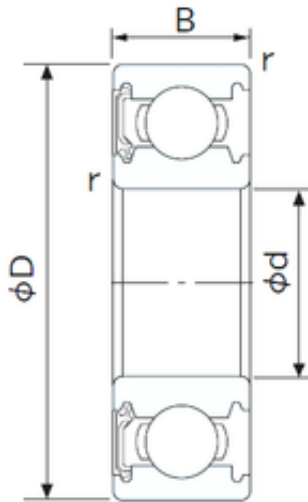




## Double BALL BEARINGS CO, LTD



35 mm x 47 mm x 7 mm NACHI 6807NSE deep groove ball bearings

Bearing No. 6807NSE

Size	35x47x7 mm
Bore Diameter	35 mm
Outer Diameter	47 mm
Width	7 mm
d	35 mm
D	47 mm
B	7 mm
C	7 mm
r min.	0.3 mm
da min.	37 mm
Da max.	45 mm
ra max.	0.3 mm
Weight	0.029 Kg
Basic dynamic load rating (C)	4,75 kN
Basic static load rating (C0)	3,8 kN
(Grease) Lubrication Speed	7600 r/min

6807NSE Bearing 2D drawings and 3D CAD models