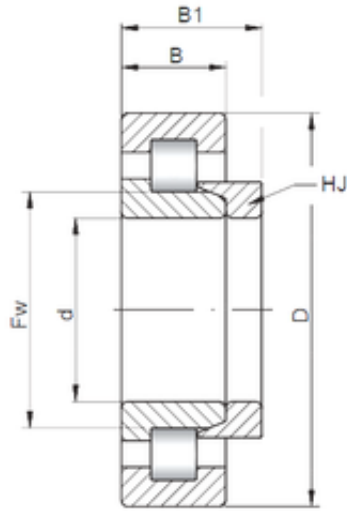




Double BALL BEARINGS CO, LTD



35 mm x 72 mm x 17 mm ISO NH207
cylindrical roller bearings

Bearing No. NH207

Size	35x72x17 mm
Bore Diameter	35 mm
Outer Diameter	72 mm
Width	17 mm
d	35 mm
D	72 mm
B	17 mm
C	17 mm
B1	4 mm
B2	7 mm

NH207 Bearing 2D drawings and 3D CAD models