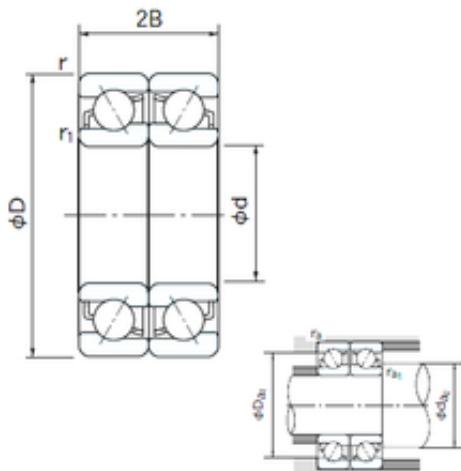




# Double BALL BEARINGS CO, LTD



35 mm x 72 mm x 17 mm NACHI 7207DF  
angular contact ball bearings

Bearing No. 7207DF

7207DF Bearing 2D drawings and 3D CAD models

Size	35x72x17 mm
Bore Diameter	35 mm
Outer Diameter	72 mm
Width	17 mm
d	35 mm
D	72 mm
B	17 mm
C	17 mm
Angle ( ° )	30 °
a	6.9 mm
r min.	1.1 mm
r1 min.	0.6 mm
2B	34 mm
da min.	40 mm
Da max.	67 mm
ra max.	0.6 mm
Weight	0.295 Kg
Basic dynamic load rating (C)	48 kN
Basic static load rating (C0)	40 kN
(Grease) Lubrication Speed	7000 r/min
Bore Type	Cylindrical Bore
Enclosure	Open
Configuration	Duplex
Bore Size	35 mm
Outside Diameter	72 mm



## Double BALL BEARINGS CO, LTD

Width	17 mm
Fillet Radius/Chamfer	1.1 mm
r1	0.6 mm
Dynamic Load Rating	48,000 N
Static Load Rating	40,000 N
Limiting Speed - Grease	7,000 rpm
Limiting Speed - Oil	9,500 rpm
da1 (min)	42 mm
da2 (min)	40 mm
Da1 (max)	65 mm
Da2 (max)	67 mm
ra (max)	1 mm
ra1 (max)	0.6 mm