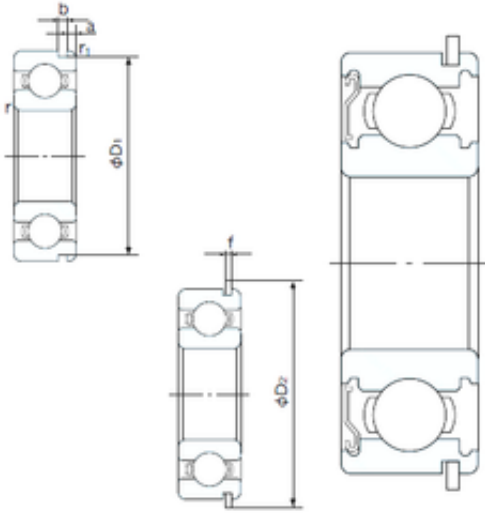




Double BALL BEARINGS CO, LTD



35 mm x 72 mm x 17 mm NACHI 6207ZNR
deep groove ball bearings

Bearing No. 6207ZNR

6207ZNR Bearing 2D drawings and 3D CAD models

Size	35x72x17 mm
Bore Diameter	35 mm
Outer Diameter	72 mm
Width	17 mm
d	35 mm
D	72 mm
B	17 mm
C	17 mm
a	3.28 mm
b	1.9 mm
f	1.6 mm
r min.	1.1 mm
r1 min.	0.5 mm
D1	68.81 mm
D2	78.6 mm
Weight	0.288 Kg
Basic dynamic load rating (C)	25,7 kN
Basic static load rating (C0)	15,3 kN
(Grease) Lubrication Speed	9000 r/min
Category	Single Row Ball Bearings
Inventory	0.0
Manufacturer Name	NACHI
Minimum Buy Quantity	N/A
Weight / Kilogram	0
Product Group	B00308



Double BALL BEARINGS CO, LTD

Enclosure	1 Metal Shield
Precision Class	ABEC 1 ISO P0
Maximum Capacity / Filling Slot	No
Rolling Element	Ball Bearing
Snap Ring	Yes
Internal Special Features	No
Cage Material	Steel
Internal Clearance	C0-Medium
Inch - Metric	Metric
Long Description	35MM Bore; 72MM Outside Diameter; 17MM Outer Race Width; 1 Metal Shield; Ball Bearing; ABEC 1 ISO P0; No Filling Slot; Yes Snap Ring; No Internal Special Features; C0-Medium Internal Clearance; Stee
Other Features	Deep Groove With Snap Ring
Category	Single Row Ball Bearing
UNSPSC	31171504
Harmonized Tariff Code	8482.10.50.68
Noun	Bearing
Keyword String	Ball
Manufacturer URL	http://www.nachiamerica.com
Bore	1.378 Inch 35 Millimeter
Outside Diameter	2.835 Inch 72 Millimeter
Outer Race Width	0.669 Inch 17 Millimeter
Inner Race Width	0 Inch 0 Millimeter
Bore Type	Cylindrical Bore
Configuration	Single Row
Bore Size	35 mm
Width	17 mm



Double BALL BEARINGS CO, LTD

Fillet Radius/Chamfer	1.1 mm
r1	0.5 mm
Snap Ring Width	1.6 mm
Snap Ring Outside Diameter	78.6 mm
D1 (max)	68.8 mm
a (max)	3.3 mm
b (min)	1.9 mm
Dynamic Load Rating	25,700 N
Static Load Rating	15,300 N
Limiting Speed - Grease	9,800 rpm
Limiting Speed - Oil	11,000 rpm
Factor fo	13.8
Radial Clearance	0.006 to 0.020 mm
da (min)	42 mm
Da (max)	65 mm
Dx (min)	80 mm
ra (max)	1 mm
Cy (max)	4.6 mm