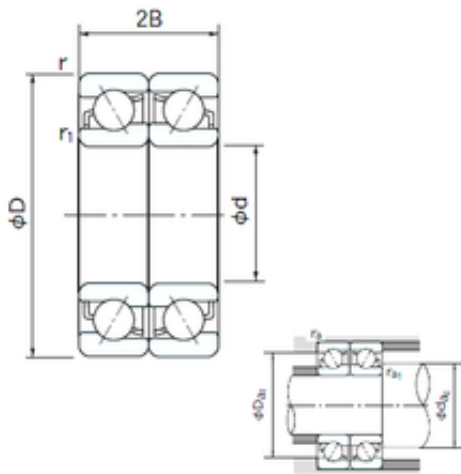




Double BALL BEARINGS CO, LTD



35 mm x 72 mm x 17 mm NACHI 7207BDF
angular contact ball bearings

Bearing No. 7207BDF

7207BDF Bearing 2D drawings and 3D CAD models

Size	35x72x17 mm
Bore Diameter	35 mm
Outer Diameter	72 mm
Width	17 mm
d	35 mm
D	72 mm
B	17 mm
C	17 mm
Angle (°)	40 °
a	14.1 mm
r min.	1.1 mm
r1 min.	0.6 mm
2B	34 mm
da min.	40 mm
Da max.	67 mm
ra max.	0.6 mm
Weight	0.295 Kg
Basic dynamic load rating (C)	45,5 kN
Basic static load rating (C0)	38 kN
(Grease) Lubrication Speed	6000 r/min
Bore Type	Cylindrical Bore
Enclosure	Open
Configuration	Duplex
Bore Size	35 mm
Outside Diameter	72 mm



Double BALL BEARINGS CO, LTD

Width	17 mm
Fillet Radius/Chamfer	1.1 mm
r1	0.6 mm
Dynamic Load Rating	45,500 N
Static Load Rating	38,000 N
Limiting Speed - Grease	6,000 rpm
Limiting Speed - Oil	8,000 rpm
da1 (min)	42 mm
da2 (min)	40 mm
Da1 (max)	65 mm
Da2 (max)	67 mm
ra (max)	1 mm
ra1 (max)	0.6 mm