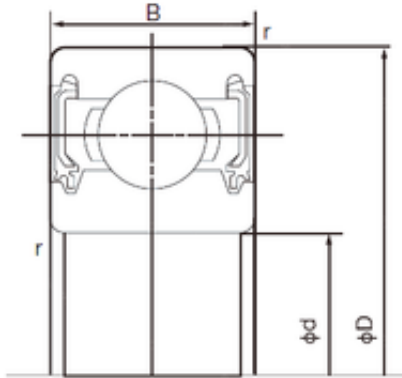




# Double BALL BEARINGS CO, LTD

35 mm x 72 mm x 17 mm NACHI 6207-2NKE  
deep groove ball bearings



Bearing No. 6207-2NKE

6207-2NKE Bearing 2D drawings and 3D CAD models

Size	35x72x17 mm
Bore Diameter	35 mm
Outer Diameter	72 mm
Width	17 mm
d	35 mm
D	72 mm
B	17 mm
C	17 mm
r min.	1.1 mm
da min.	42 mm
Da max.	65 mm
ra max.	1.0 mm
Weight	0.288 Kg
Basic dynamic load rating (C)	25,7 kN
Basic static load rating (C0)	15,3 kN
Category	Single Row Ball Bearings
Inventory	0.0
Manufacturer Name	NACHI
Minimum Buy Quantity	N/A
Weight / Kilogram	0
Product Group	B00308
Enclosure	2 Seals
Precision Class	ABEC 1   ISO P0
Maximum Capacity / Filling Slot	No



## Double BALL BEARINGS CO, LTD

Rolling Element	Ball Bearing
Snap Ring	No
Internal Special Features	No
Cage Material	Steel
Enclosure Type	Non-Contact Seal
Internal Clearance	C0-Medium
Inch - Metric	Metric
Long Description	35MM Bore; 72MM Outside Diameter; 17MM Outer Race Width; 2 Seals; Ball Bearing; ABEC 1   ISO P0; No Filling Slot; No Snap Ring; No Internal Special Features; C0-Medium Internal Clearance; Steel Cage;
Other Features	Deep Groove   Labyrinth Seal
Category	Single Row Ball Bearing
UNSPSC	31171504
Harmonized Tariff Code	8482.10.50.68
Noun	Bearing
Keyword String	Ball
Manufacturer URL	<a href="http://www.nachiamerica.com">http://www.nachiamerica.com</a>
Outer Race Width	0.669 Inch   17 Millimeter
Bore	1.378 Inch   35 Millimeter
Inner Race Width	0 Inch   0 Millimeter
Outside Diameter	2.835 Inch   72 Millimeter