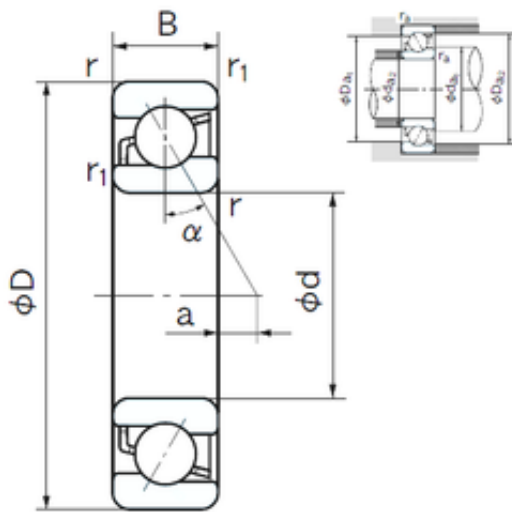




## Double BALL BEARINGS CO, LTD



35 mm x 72 mm x 17 mm NACHI 7207B  
angular contact ball bearings

Bearing No. 7207B

7207B Bearing 2D drawings and 3D CAD models

Size	35x72x17 mm
Bore Diameter	35 mm
Outer Diameter	72 mm
Width	17 mm
d	35 mm
D	72 mm
B	17 mm
C	17 mm
Angle ( ° )	40 °
a	14.1 mm
r min.	1.1 mm
r1 min.	0.6 mm
da min.	42 mm
Da max.	65 mm
ra max.	1 mm
Weight	0.295 Kg
Basic dynamic load rating (C)	28 kN
Basic static load rating (C0)	19 kN
(Grease) Lubrication Speed	7500 r/min
Category	Angular Contact Ball Bearings
Inventory	0.0
Manufacturer Name	NACHI
Minimum Buy Quantity	N/A
Weight / Kilogram	0.295



## Double BALL BEARINGS CO, LTD

EAN	4991893839746
Product Group	B00308
Enclosure	Open
Flush Ground	No
Rolling Element	Ball Bearing
Number of Rows of Balls	Single Row
Precision Class	ABEC 1   ISO P0
Maximum Capacity / Filling Slot	No
Snap Ring	No
Cage Material	Steel
Contact Angle	40 Degree
Internal Clearance	C0-Medium
Number of Bearings	1 (Single)
Inch - Metric	Metric
Long Description	35MM Bore; 72MM Outside Diameter; 17MM Width; Open; No Flush Ground; Ball Bearing; Single Row of Balls; ABEC 1   ISO P0; No Filling Slot; No Snap Ring
Category	Angular Contact Ball Bearing
UNSPSC	31171531
Harmonized Tariff Code	8482.10.50.28
Noun	Bearing
Keyword String	Angular Contact
Manufacturer URL	<a href="http://www.nachi.com">http://www.nachi.com</a>
Manufacturer Item Number	7207 B BNLS
Weight / LBS	0.65
Outside Diameter	2.835 Inch   72 Millimeter
Bore	1.378 Inch   35 Millimeter
Width	0.669 Inch   17 Millimeter
Configuration	Single Row



## Double BALL BEARINGS CO, LTD

Bore Type	Cylindrical Bore
Bore Size	35 mm
Fillet Radius/Chamfer	1.1 mm
r1	0.6 mm
Dynamic Load Rating	28,000 N
Static Load Rating	19,000 N
Limiting Speed - Grease	7,500 rpm
Limiting Speed - Oil	10,000 rpm
da1 (min)	42 mm
da2 (min)	40 mm
Da1 (max)	65 mm
Da2 (max)	67 mm
ra (max)	1 mm
ra1 (max)	0.6 mm