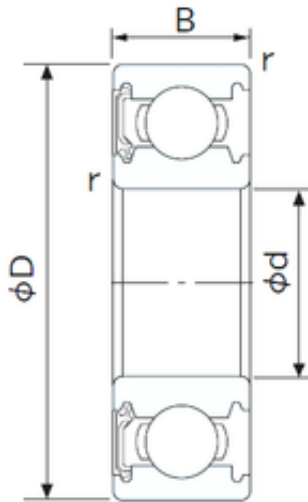




Double BALL BEARINGS CO, LTD



35 mm x 72 mm x 17 mm NACHI 6207NSE deep groove ball bearings

Bearing No. 6207NSE

6207NSE Bearing 2D drawings and 3D CAD models

Size	35x72x17 mm
Bore Diameter	35 mm
Outer Diameter	72 mm
Width	17 mm
d	35 mm
D	72 mm
B	17 mm
C	17 mm
r min.	1.1 mm
da min.	42 mm
Da max.	65 mm
ra max.	1.0 mm
Weight	0.288 Kg
Basic dynamic load rating (C)	25,7 kN
Basic static load rating (C0)	15,3 kN
(Grease) Lubrication Speed	6300 r/min
Category	Single Row Ball Bearings
Inventory	0.0
Manufacturer Name	NACHI
Minimum Buy Quantity	N/A
Weight / Kilogram	0
Product Group	B00308
Enclosure	1 Seal
Precision Class	ABEC 1 ISO P0
Maximum Capacity / Filling	No



Double BALL BEARINGS CO, LTD

Slot	
Rolling Element	Ball Bearing
Snap Ring	No
Internal Special Features	No
Cage Material	Steel
Enclosure Type	Contact Seal
Internal Clearance	C0-Medium
Inch - Metric	Metric
Long Description	35MM Bore; 72MM Outside Diameter; 17MM Outer Race Width; 1 Seal; Ball Bearing; ABEC 1 ISO P0; No Filling Slot; No Snap Ring; No Internal Special Features; C0-Medium Internal Clearance; Steel Cage; C
Other Features	Deep Groove
Category	Single Row Ball Bearing
UNSPSC	31171504
Harmonized Tariff Code	8482.10.50.68
Noun	Bearing
Keyword String	Ball
Manufacturer URL	http://www.nachi-america.com
Inner Race Width	0 Inch 0 Millimeter
Outside Diameter	2.835 Inch 72 Millimeter
Outer Race Width	0.669 Inch 17 Millimeter
Bore	1.378 Inch 35 Millimeter