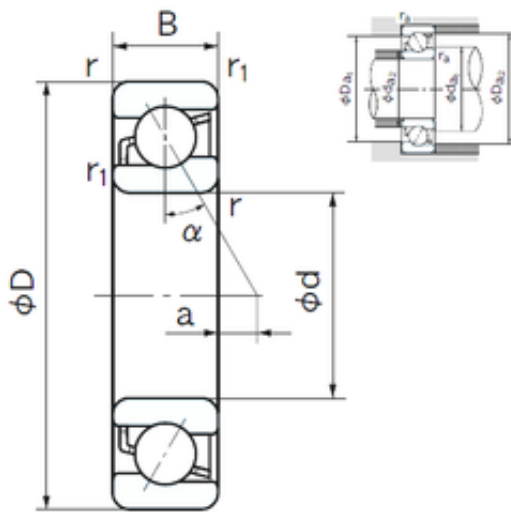




Double BALL BEARINGS CO, LTD



40 mm x 80 mm x 18 mm NACHI 7208B
angular contact ball bearings

Bearing No. 7208B

7208B Bearing 2D drawings and 3D CAD models

Size	40x80x18 mm
Bore Diameter	40 mm
Outer Diameter	80 mm
Width	18 mm
d	40 mm
D	80 mm
B	18 mm
C	18 mm
Angle (°)	40 °
a	16.2 mm
r min.	1.1 mm
r1 min.	0.6 mm
da min.	47 mm
Da max.	73 mm
ra max.	1 mm
Weight	0.380 Kg
Basic dynamic load rating (C)	33 kN
Basic static load rating (C0)	23,7 kN
(Grease) Lubrication Speed	6700 r/min
Category	Angular Contact Ball Bearings
Inventory	0.0
Manufacturer Name	NACHI
Minimum Buy Quantity	N/A
Weight / Kilogram	0.381



Double BALL BEARINGS CO, LTD

Product Group	B00308
Enclosure	Open
Flush Ground	No
Rolling Element	Ball Bearing
Number of Rows of Balls	Single Row
Precision Class	ABEC 1 ISO P0
Maximum Capacity / Filling Slot	No
Snap Ring	No
Cage Material	Steel
Contact Angle	40 Degree
Internal Clearance	C0-Medium
Number of Bearings	1 (Single)
Inch - Metric	Metric
Long Description	40MM Bore; 80MM Outside Diameter; 18MM Width; Open; No Flush Ground; Ball Bearing; Single Row of Balls; ABEC 1 ISO P0; No Filling Slot; No Snap Ring
Category	Angular Contact Ball Bearing
UNSPSC	31171531
Harmonized Tariff Code	8482.10.50.28
Noun	Bearing
Keyword String	Angular Contact
Manufacturer URL	http://www.nachi.com
Manufacturer Item Number	7208 B BNLS
Weight / LBS	0.84
Width	0.709 Inch 18 Millimeter
Outside Diameter	3.15 Inch 80 Millimeter
Bore	1.575 Inch 40 Millimeter
Configuration	Single Row
Bore Type	Cylindrical Bore



Double BALL BEARINGS CO, LTD

Bore Size	40 mm
Fillet Radius/Chamfer	1.1 mm
r1	0.6 mm
Dynamic Load Rating	33,000 N
Static Load Rating	23,700 N
Limiting Speed - Grease	6,700 rpm
Limiting Speed - Oil	9,200 rpm
da1 (min)	47 mm
da2 (min)	45 mm
Da1 (max)	73 mm
Da2 (max)	75 mm
ra (max)	1 mm
ra1 (max)	0.6 mm