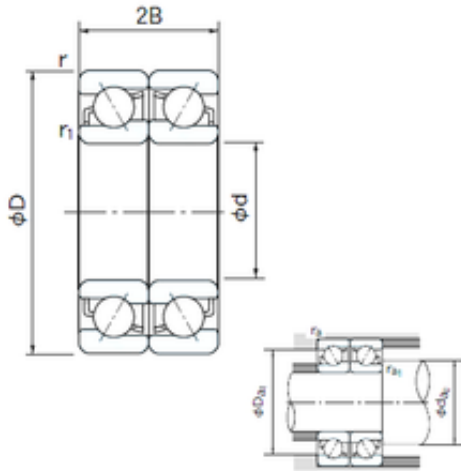




Double BALL BEARINGS CO, LTD



7208DF Bearing 2D drawings and 3D CAD models

40 mm x 80 mm x 18 mm NACHI 7208DF
angular contact ball bearings

Bearing No. 7208DF

Size	40x80x18 mm
Bore Diameter	40 mm
Outer Diameter	80 mm
Width	18 mm
d	40 mm
D	80 mm
B	18 mm
C	18 mm
Angle (°)	30 °
a	8.3 mm
r min.	1.1 mm
r1 min.	0.6 mm
2B	36 mm
da min.	45 mm
Da max.	75 mm
ra max.	0.6 mm
Weight	0.380 Kg
Basic dynamic load rating (C)	57,5 kN
Basic static load rating (C0)	50,5 kN
(Grease) Lubrication Speed	6000 r/min
Bore Type	Cylindrical Bore
Enclosure	Open
Configuration	Duplex
Bore Size	40 mm
Outside Diameter	80 mm



Double BALL BEARINGS CO, LTD

Width	18 mm
Fillet Radius/Chamfer	1.1 mm
r1	0.6 mm
Dynamic Load Rating	57,500 N
Static Load Rating	50,500 N
Limiting Speed - Grease	6,000 rpm
Limiting Speed - Oil	8,000 rpm
da1 (min)	47 mm
da2 (min)	45 mm
Da1 (max)	73 mm
Da2 (max)	75 mm
ra (max)	1 mm
ra1 (max)	0.6 mm