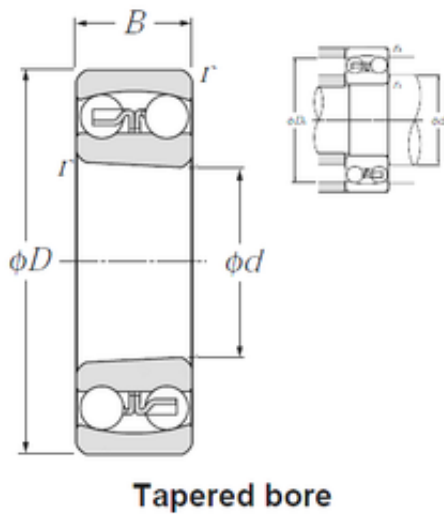




Double BALL BEARINGS CO, LTD



40 mm x 80 mm x 18 mm NTN 1208SK self aligning ball bearings

Bearing No. 1208SK

1208SK Bearing 2D drawings and 3D CAD models

Size	40x80x18 mm
Bore Diameter	40 mm
Outer Diameter	80 mm
Width	18 mm
d	40 mm
D	80 mm
B	18 mm
C	18 mm
r min.	1,1 mm
da min.	46,5 mm
Da max.	73,5 mm
ra max.	1 mm
Weight	0,415 Kg
Basic dynamic load rating (C)	19,3 kN
Basic static load rating (C0)	6,5 kN
(Grease) Lubrication Speed	7 500 r/min
(Oil) Lubrication Speed	9 000 r/min
Calculation factor (e)	0,22
Calculation factor (Y0)	2,9
Calculation factor (Y1)	2,8
rs min	1.1 mm
Associated sleeve reference	H208X
e	0.22
Y1	2.8
Y2	4.3



Double BALL BEARINGS CO, LTD

Y0	2.9
Radial clearance class	CN
Precision class	P0
Mass	0.42 kg
Dynamic load, C	19.3 kN
Static load, C0	6.5 kN
Nlim (oil)	9,000 rpm
Nlim (grease)	7,500 rpm
Min operating temperature, Tmin	-20 ° C
Max operating temperature, Tmax	120 ° C
da min	46.5 mm
da max	52 mm
db min	44 mm
Ce min	5 mm
Da max	73.5 mm
ra max	1 mm