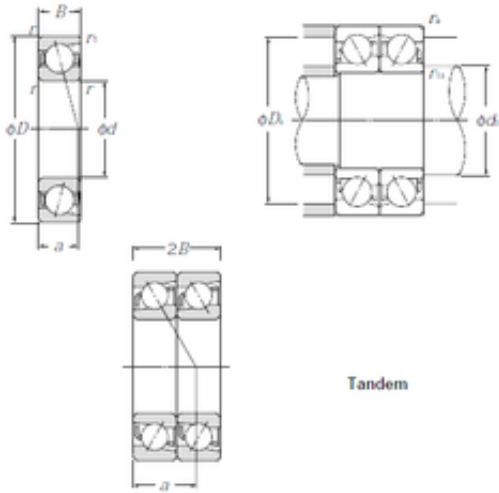




Double BALL BEARINGS CO, LTD

40 mm x 80 mm x 18 mm NTN 7208DT angular contact ball bearings

Bearing No. 7208DT



7208DT Bearing 2D drawings and 3D CAD models

Size	40x80x18 mm
Bore Diameter	40 mm
Outer Diameter	80 mm
Width	18 mm
d	40 mm
D	80 mm
B	18 mm
ra1 max.	0,6 mm
Angle (°)	25 °
a	26,5 mm
r min.	1,1 mm
r1 min.	0,6 mm
2B	36 mm
da min.	47 mm
Da max.	73 mm
db min	44,5 mm
ra max.	1 mm
Db max	75,5 mm
Weight	0,71 Kg
Basic dynamic load rating (C)	57,5 kN
Basic static load rating (C0)	50,5 kN
(Grease) Lubrication Speed	7 700 r/min