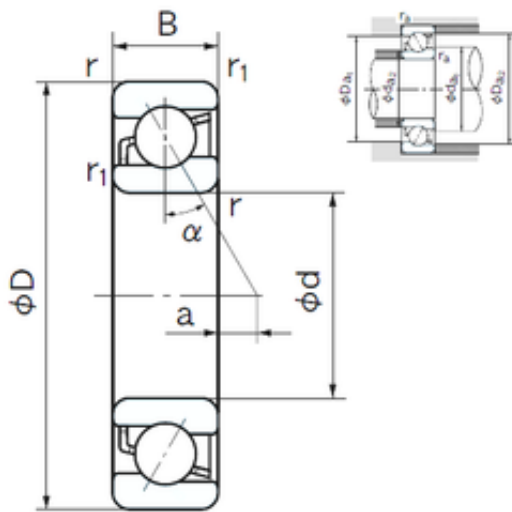




Double BALL BEARINGS CO, LTD



40 mm x 80 mm x 18 mm NACHI 7208 angular contact ball bearings

Bearing No. 7208

7208 Bearing 2D drawings and 3D CAD models

Size	40x80x18 mm
Bore Diameter	40 mm
Outer Diameter	80 mm
Width	18 mm
d	40 mm
D	80 mm
B	18 mm
C	18 mm
Angle (°)	30 °
a	8.3 mm
r min.	1.1 mm
r1 min.	0.6 mm
da min.	47 mm
Da max.	73 mm
ra max.	1 mm
Weight	0.380 Kg
Basic dynamic load rating (C)	35 kN
Basic static load rating (C0)	25,2 kN
(Grease) Lubrication Speed	7500 r/min
Configuration	Single Row
Enclosure	Open
Bore Type	Cylindrical Bore
Bore Size	40 mm
Outside Diameter	80 mm
Width	18 mm



Double BALL BEARINGS CO, LTD

Fillet Radius/Chamfer	1.1 mm
r1	0.6 mm
Dynamic Load Rating	35,000 N
Static Load Rating	25,200 N
Limiting Speed - Grease	7,500 rpm
Limiting Speed - Oil	10,000 rpm
da1 (min)	47 mm
da2 (min)	45 mm
Da1 (max)	73 mm
Da2 (max)	75 mm
ra (max)	1 mm
ra1 (max)	0.6 mm