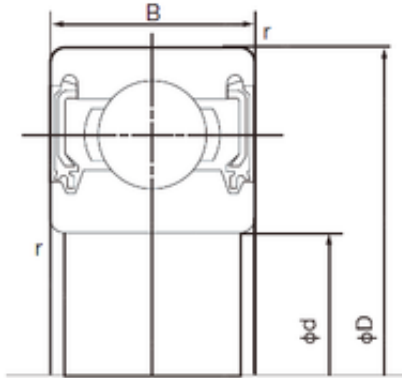




Double BALL BEARINGS CO, LTD

75 mm x 130 mm x 25 mm NACHI 6215-2NKE
deep groove ball bearings



Bearing No. 6215-2NKE

Size	75x130x25 mm
Bore Diameter	75 mm
Outer Diameter	130 mm
Width	25 mm
d	75 mm
D	130 mm
B	25 mm
C	25 mm
r min.	1.5 mm
da min.	84 mm
Da max.	121 mm
ra max.	1.5 mm
Weight	1.18 Kg
Basic dynamic load rating (C)	66 kN
Basic static load rating (C0)	49,5 kN
Bore Type	Cylindrical Bore
Enclosure	Double Seal
Configuration	Single Row
Bore Size	75 mm
Outside Diameter	130 mm
Width	25 mm
Dynamic Load Rating	66,000 N
Static Load Rating	49,500 N
Limiting Speed - Grease	4,800 rpm
Factor fo	14.7

6215-2NKE Bearing 2D drawings and 3D CAD models



Double BALL BEARINGS CO, LTD

Radial Clearance	0.010 to 0.030 mm
da (min)	84 mm
Da (max)	121 mm
ra (max)	1.5 mm