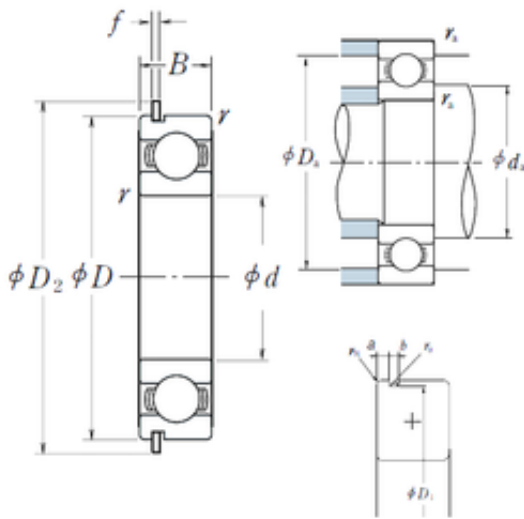




Double BALL BEARINGS CO, LTD

75 mm x 130 mm x 25 mm NSK 6215NR deep groove ball bearings

Bearing No. 6215NR



6215NR Bearing 2D drawings and 3D CAD models

Size	75x130x25 mm
Bore Diameter	75 mm
Outer Diameter	130 mm
Width	25 mm
d	75 mm
D	130 mm
B	25 mm
C	25 mm
rn	0,5 mm
a	4,06 mm
b	3,1 mm
f	2,82 mm
r min.	1,5 mm
r0 max.	0,6 mm
D1	125,22 mm
D2	139,7 mm
da min.	83 mm
da max	90 mm
Da max.	122 mm
ra max.	1,5 mm
Weight	1,19 Kg
Basic dynamic load rating (C)	66 kN
Basic static load rating (C0)	49,5 kN
(Grease) Lubrication Speed	4 800 r/min
(Oil) Lubrication Speed	5 600 r/min



Double BALL BEARINGS CO, LTD

Category	Single Row Ball Bearings
Inventory	0.0
Manufacturer Name	NSK
Minimum Buy Quantity	N/A
Weight / Kilogram	1.18
EAN	0029176069468
Product Group	B00308
Enclosure	Open
Precision Class	ABEC 1 ISO P0
Maximum Capacity / Filling Slot	No
Rolling Element	Ball Bearing
Snap Ring	Yes
Internal Special Features	No
Cage Material	Steel
Internal Clearance	C0-Medium
Inch - Metric	Metric
Long Description	75MM Bore; 130MM Outside Diameter; 25MM Outer Race Diameter; Open; Ball Bearing; ABEC 1 ISO P0; No Filling Slot; Yes Snap Ring; No Internal Special Features
Category	Single Row Ball Bearing
UNSPSC	31171504
Harmonized Tariff Code	8482.10.50.68
Noun	Bearing
Keyword String	Ball
Manufacturer URL	http://www.nskamericas.com
Manufacturer Item Number	6215NR
Weight / LBS	1.18
Outer Race Width	0.984 Inch 25 Millimeter
Outside Diameter	5.118 Inch 130 Millimeter



Double BALL BEARINGS CO, LTD

Bore	2.953 Inch 75 Millimeter
SRI	9.04
hidYobi	6215NR
LangID	1
ro	0.6
D_	130
SREX	0.03
B_	25
da min	83
hidTable	ecat_NSRDGB
Oil rpm	5600
SRE	9.04
Cy	6.5
mass	1.19
GRS rpm	4800
ra	1.5
SRIX	0.03
D_a	122
SRIN	-0.03
C0	49.5
fo	14.7
SREN	-0.03
DE_	120.962
Prod_Type3	DGBB_SR_NR_OT
DA_	17.462
bomp	0
Z_	11
yobi	6215NR
Dx	141.5
C_conv	66000
ALPHA_	0
SDM_	103.5



Double BALL BEARINGS CO, LTD

r	1.5
KBRG	6101
SBRG	2
DI_	86.038