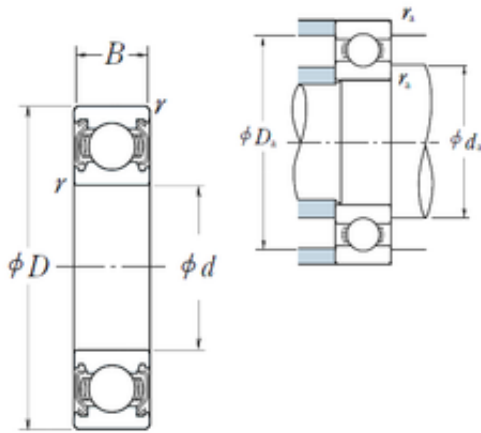




Double BALL BEARINGS CO, LTD



75 mm x 130 mm x 25 mm NSK 6215ZZ deep groove ball bearings

Bearing No. 6215ZZ

6215ZZ Bearing 2D drawings and 3D CAD models

Size	75x130x25 mm
Bore Diameter	75 mm
Outer Diameter	130 mm
Width	25 mm
d	75 mm
D	130 mm
B	25 mm
C	25 mm
r min.	1,5 mm
da min.	83 mm
da max	90 mm
Da max.	122 mm
ra max.	1,5 mm
Weight	1,19 Kg
Basic dynamic load rating (C)	66 kN
Basic static load rating (C0)	49,5 kN
(Grease) Lubrication Speed	4 800 r/min
Category	Single Row Ball Bearings
Inventory	0.0
Manufacturer Name	NSK
Minimum Buy Quantity	N/A
Weight / Kilogram	1.18
EAN	0029176015519
Product Group	B00308
Enclosure	2 Metal Shields



Double BALL BEARINGS CO, LTD

Precision Class	ABEC 1 ISO P0
Maximum Capacity / Filling Slot	No
Rolling Element	Ball Bearing
Snap Ring	No
Internal Special Features	No
Cage Material	Steel
Internal Clearance	C0-Medium
Inch - Metric	Metric
Long Description	75MM Bore; 130MM Outside Diameter; 25MM Outer Race Diameter; 2 Metal Shields; Ball Bearing; ABEC 1 ISO P0; No Filling Slot; No Snap Ring; No Internal Special Features
Category	Single Row Ball Bearing
UNSPSC	31171504
Harmonized Tariff Code	8482.10.50.68
Noun	Bearing
Keyword String	Ball
Manufacturer URL	http://www.nskamericas.com
Manufacturer Item Number	6215ZZ
Weight / LBS	1.18
Outer Race Width	0.984 Inch 25 Millimeter
Bore	2.953 Inch 75 Millimeter
Outside Diameter	5.118 Inch 130 Millimeter
SRI	9.04
hidYobi	6215ZZ
LangID	1
D_	130
SREX	0.03
B_	25
da min	83



Double BALL BEARINGS CO, LTD

hidTable	ecat_NSRDGB
SRE	9.04
mass	1.19
GRS rpm	4800
ra	1.5
SRIX	0.03
D_a	122
SRIN	-0.03
C0	49.5
fo	14.7
SREN	-0.03
DE_	120.962
Prod_Type3	DGBB_SR_ZZ
DA_	17.462
bomp	0
Z_	11
yobi	6215ZZ
C_conv	66000
ALPHA_	0
SDM_	103.5
r	1.5
KBRG	6141
SBRG	2
DI_	86.038