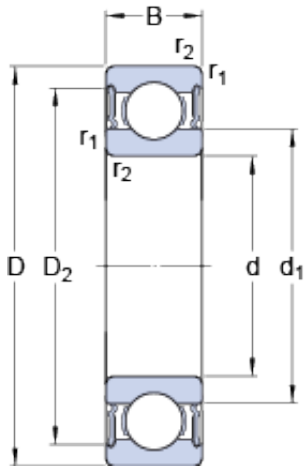




## Double BALL BEARINGS CO, LTD



45 mm x 75 mm x 16 mm SKF 6009-2RS1 deep groove ball bearings

Bearing No. 6009-2RS1

6009-2RS1 Bearing 2D drawings and 3D CAD models

Size	75x45x16 mm
Bore Diameter	75 mm
Outer Diameter	45 mm
Width	16 mm
d	45 mm
D	75 mm
B	16 mm
d <sub>1</sub>	54.75 mm
D <sub>2</sub>	67.8 mm
r <sub>1,2</sub> - min.	1 mm
d <sub>a</sub> - min.	50.8 mm
d <sub>a</sub> - max.	54.7 mm
D <sub>a</sub> - max.	69.2 mm
r <sub>a</sub> - max.	1 mm
Basic dynamic load rating - C	22.1 kN
Basic static load rating - C <sub>0</sub>	14.6 kN
Fatigue load limit - P <sub>u</sub>	0.64 kN
Limiting speed	5600 r/min
Calculation factor - k <sub>r</sub>	0.025
Calculation factor - f <sub>0</sub>	14.9
Category	Single Row Ball Bearings
Inventory	55.0
Manufacturer Name	SKF
Minimum Buy Quantity	N/A



## Double BALL BEARINGS CO, LTD

Weight / Kilogram	0.259
EAN	7316570178098
Product Group	B00308
Enclosure	2 Seals
Precision Class	ABEC 1   ISO P0
Maximum Capacity / Filling Slot	No
Rolling Element	Ball Bearing
Snap Ring	No
Internal Special Features	No
Cage Material	Steel
Enclosure Type	Contact Seal
Internal Clearance	C0-Medium
Inch - Metric	Metric
Long Description	45MM Bore; 75MM Outside Diameter; 16MM Outer Race Diameter; 2 Seals; Ball Bearing; ABEC 1   ISO P0; No Filling Slot; No Snap Ring; No Internal Special Features
Category	Single Row Ball Bearing
UNSPSC	31171504
Harmonized Tariff Code	8482.10.50.68
Noun	Bearing
Keyword String	Ball
Manufacturer URL	<a href="http://www.skf.com">http://www.skf.com</a>
Manufacturer Item Number	6009-2RS1
Weight / LBS	0.57
Outside Diameter	2.953 Inch   75 Millimeter
Bore	1.772 Inch   45 Millimeter
Outer Race Width	0.63 Inch   16 Millimeter
bore diameter:	45 mm
static load capacity:	14.6 kN



## Double BALL BEARINGS CO, LTD

outside diameter:	75 mm
precision rating:	Not Rated
overall width:	16 mm
finish/coating:	Uncoated
bore type:	Round
cage material:	Steel
closure type:	Double Sealed
outer ring width:	16 mm
row type & fill slot:	Single Row Non-Fill Slot
fillet radius:	1 mm
internal clearance:	C0
maximum rpm:	5600 RPM
operating temperature range:	-40 to +210 ° F
series:	60
dynamic load capacity:	22.1 kN
$d_1$	54.75 mm
$D_2$	67.8 mm
$r_{1,2}$ min.	1 mm
$d_a$ min.	50.8 mm
$d_a$ max.	54.7 mm
$D_a$ max.	69.2 mm
$r_a$ max.	1 mm
Basic dynamic load rating C	22.1 kN
Basic static load rating $C_0$	14.6 kN
Fatigue load limit $P_u$	0.64 kN
Calculation factor $k_r$	0.025
Calculation factor $f_0$	14.9
Mass bearing	0.25 kg