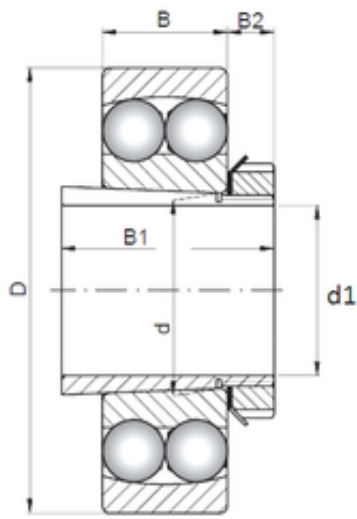




## Double BALL BEARINGS CO, LTD



85 mm x 180 mm x 41 mm ISO 1317K+H317  
self aligning ball bearings

Bearing No. 1317K+H317

Size	85x180x41 mm
Bore Diameter	85 mm
Outer Diameter	180 mm
Width	41 mm
d	85 mm
d1	75 mm
D	180 mm
B	41 mm
C	41 mm
B1	63 mm
B2	18 mm

1317K+H317 Bearing 2D drawings and 3D CAD models