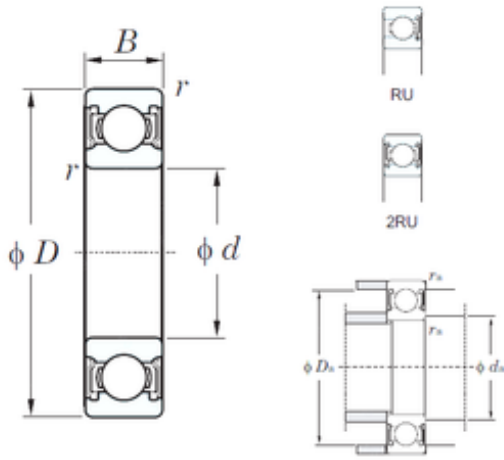




Double BALL BEARINGS CO, LTD



85 mm x 180 mm x 41 mm KOYO 6317-2RU
deep groove ball bearings

Bearing No. 6317-2RU

Size	85x180x41 mm
Bore Diameter	85 mm
Outer Diameter	180 mm
Width	41 mm
d	85 mm
D	180 mm
B	41 mm
C	41 mm
r min.	3 mm
da min.	98 mm
da max	111 mm
Da max.	167 mm
ra max.	2,5 mm
Weight	4,23 Kg
Basic dynamic load rating (C)	133 kN
Basic static load rating (C0)	96,8 kN
(Grease) Lubrication Speed	3700 r/min

6317-2RU Bearing 2D drawings and 3D CAD models