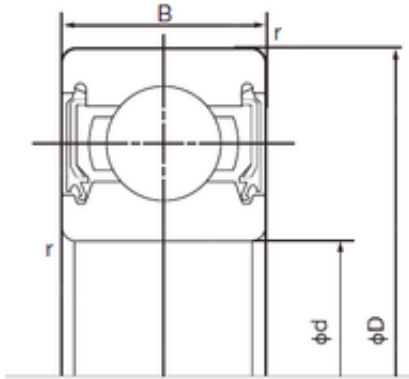




Double BALL BEARINGS CO, LTD

85 mm x 180 mm x 41 mm NACHI 6317-2NSL
deep groove ball bearings



Bearing No. 6317-2NSL

6317-2NSL Bearing 2D drawings and 3D CAD models

Size	85x180x41 mm
Bore Diameter	85 mm
Outer Diameter	180 mm
Width	41 mm
d	85 mm
D	180 mm
B	41 mm
C	41 mm
r min.	3 mm
da min.	99 mm
Da max.	166 mm
ra max.	2.5 mm
Weight	4.23 Kg
Basic dynamic load rating (C)	133 kN
Basic static load rating (C0)	96,5 kN
Category	Single Row Ball Bearings
Inventory	0.0
Manufacturer Name	NACHI
Minimum Buy Quantity	N/A
Weight / Kilogram	0
Product Group	B00308
Enclosure	2 Seals
Precision Class	ABEC 1 ISO P0
Maximum Capacity / Filling Slot	No



Double BALL BEARINGS CO, LTD

Rolling Element	Ball Bearing
Snap Ring	No
Internal Special Features	No
Cage Material	Steel
Enclosure Type	Contact Seal
Internal Clearance	C0-Medium
Inch - Metric	Metric
Long Description	85MM Bore; 180MM Outside Diameter; 41MM Outer Race Width; 2 Seals; Ball Bearing; ABEC 1 ISO P0; No Filling Slot; No Snap Ring; No Internal Special Features; C0-Medium Internal Clearance; Steel Cage;
Other Features	Deep Groove Rubber Seal
Category	Single Row Ball Bearing
UNSPSC	31171504
Harmonized Tariff Code	8482.10.50.68
Noun	Bearing
Keyword String	Ball
Manufacturer URL	http://www.nachiamerica.com
Outer Race Width	1.614 Inch 41 Millimeter
Inner Race Width	0 Inch 0 Millimeter
Outside Diameter	7.087 Inch 180 Millimeter
Bore	3.346 Inch 85 Millimeter
Bore Type	Cylindrical Bore
Configuration	Single Row
Bore Size	85 mm
Width	41 mm
Fillet Radius/Chamfer	3 mm
Dynamic Load Rating	133,000 N
Static Load Rating	96,500 N



Double BALL BEARINGS CO, LTD

Limiting Speed - Grease	2,600 rpm
Factor f_0	13.3
Radial Clearance	0.012 to 0.036 mm
d_a (min)	99 mm
D_a (max)	166 mm
r_a (max)	2.5 mm